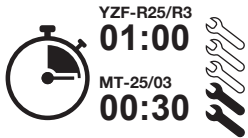


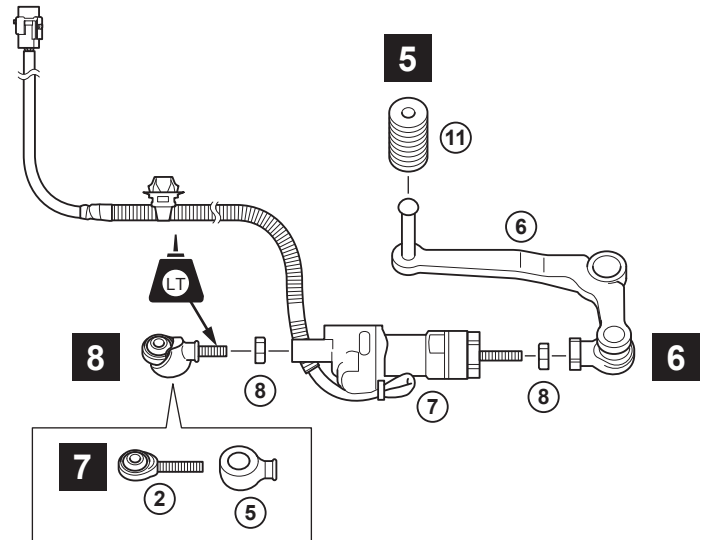
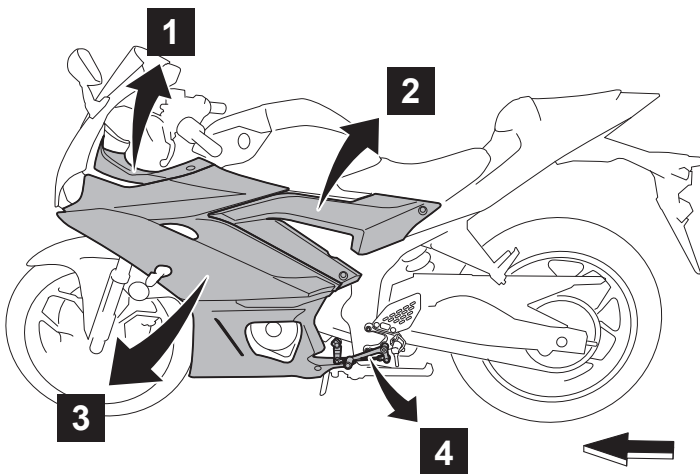
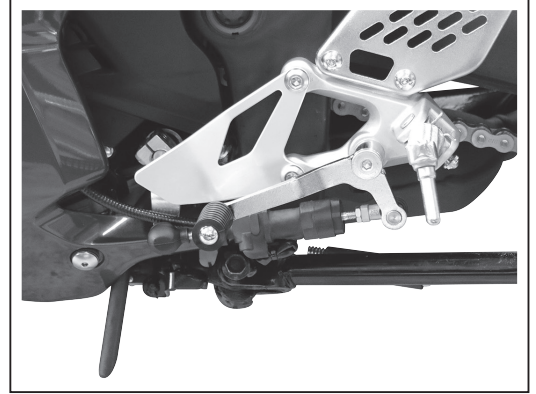
Quick-shift Kit YZF-R25/R3, MT-25/03

B1X-181A0- **



Posnr.	QTY	
①	1	
②	1	
③	1	M6 X 35mm
④	1	M6
⑤	1	
⑥	1	

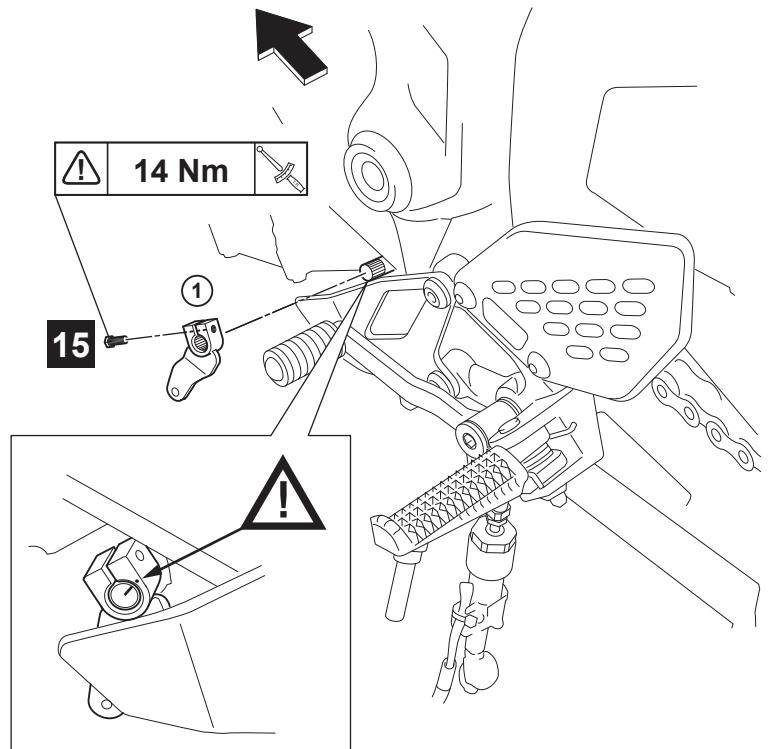
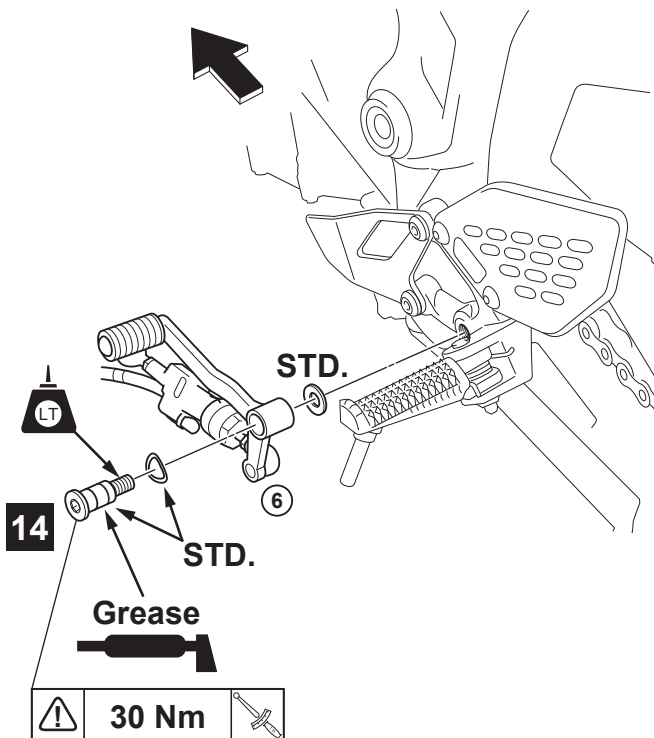
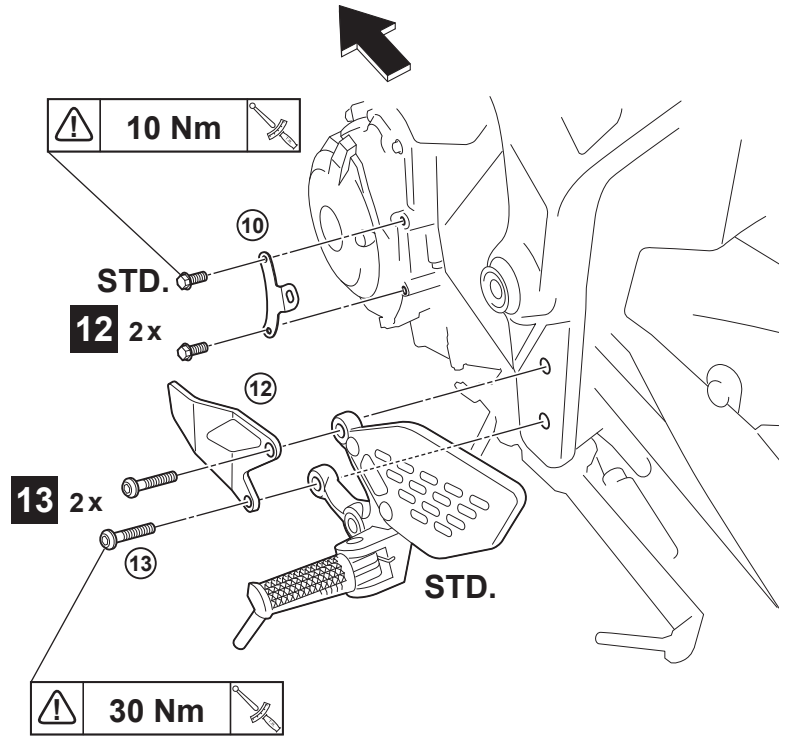
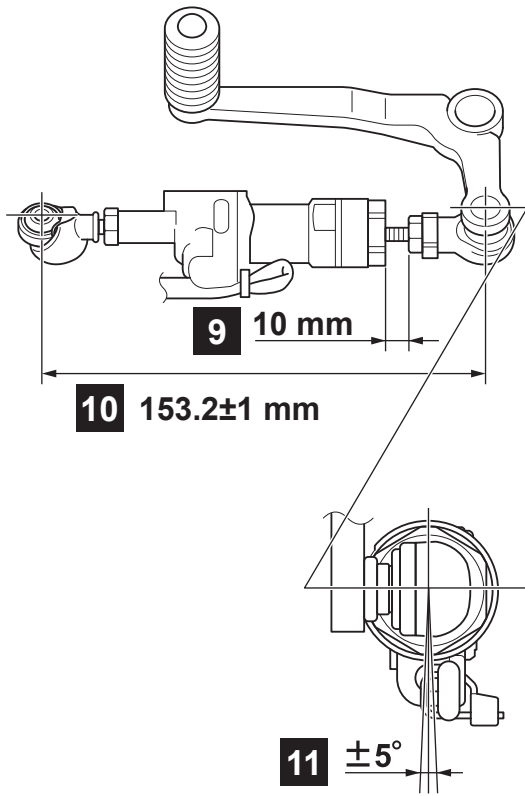
Posnr.	QTY	
⑦	1	
⑧	1	M6
⑨	1	
⑩	1	
⑪	1	
⑫	1	
⑬	2	M8 X 35mm
⑭	1	



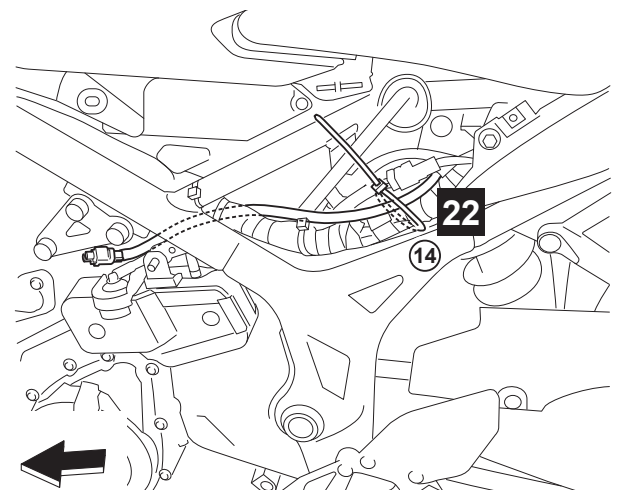
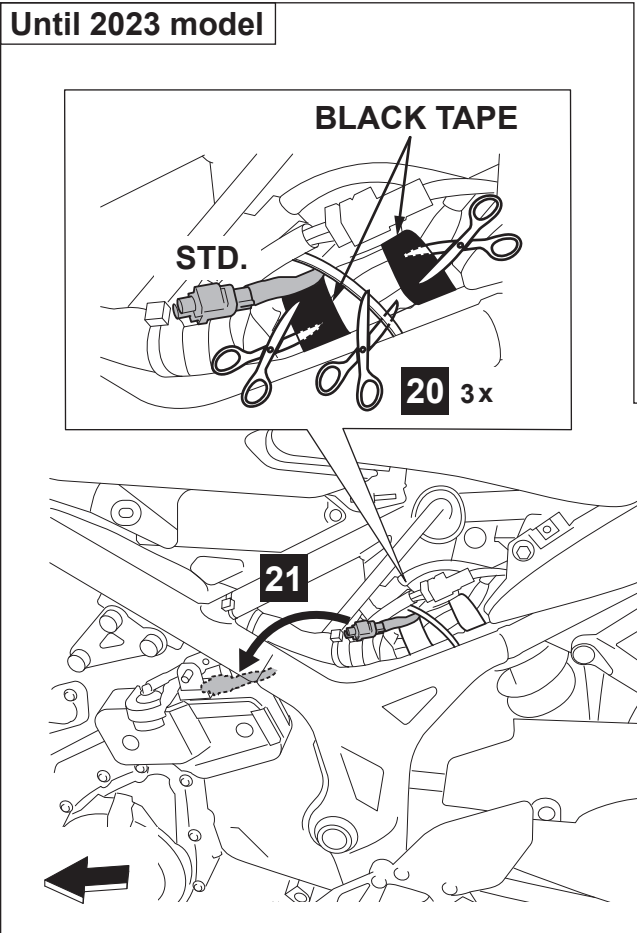
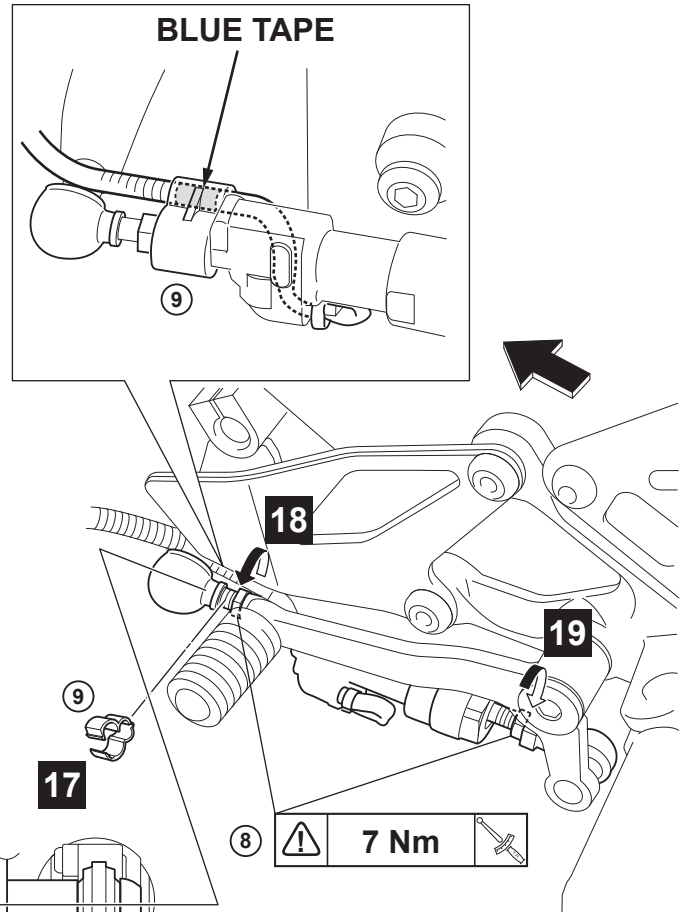
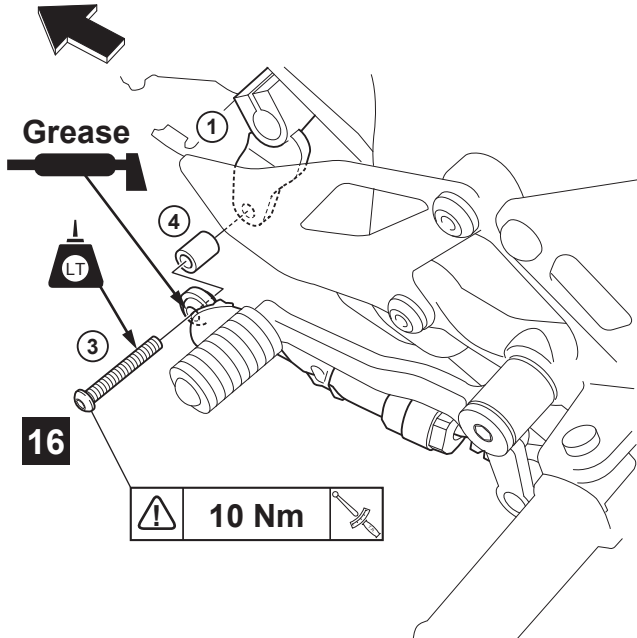
Easy, suitable for novice with little experience
Fairly easy, suitable for beginner with some experience
Fairly difficult, suitable for competent DIY mechanic
Difficult, suitable for experienced DIY mechanic
Very difficult, suitable for expert DIY or professional



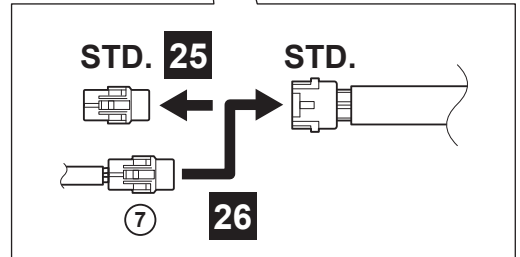
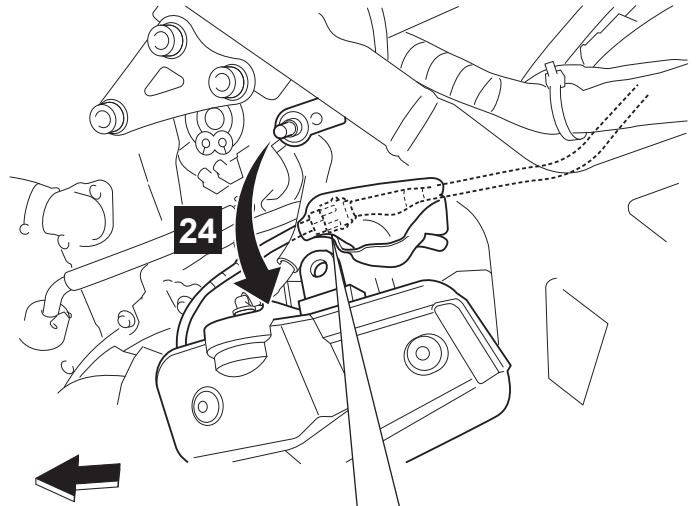
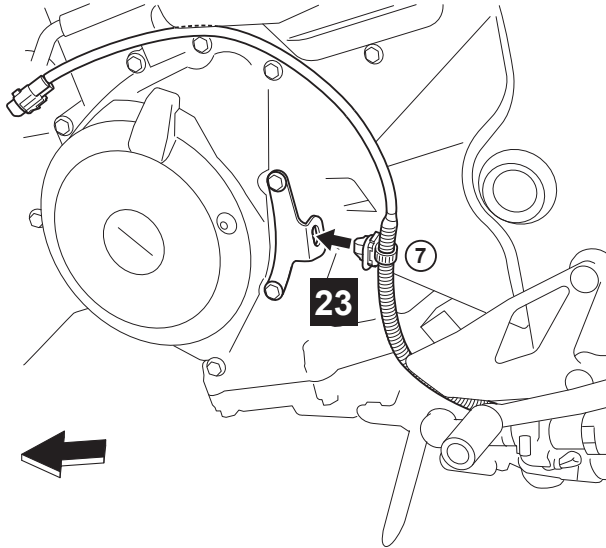
Quick-shift Kit YZF-R25/R3, MT-25/03



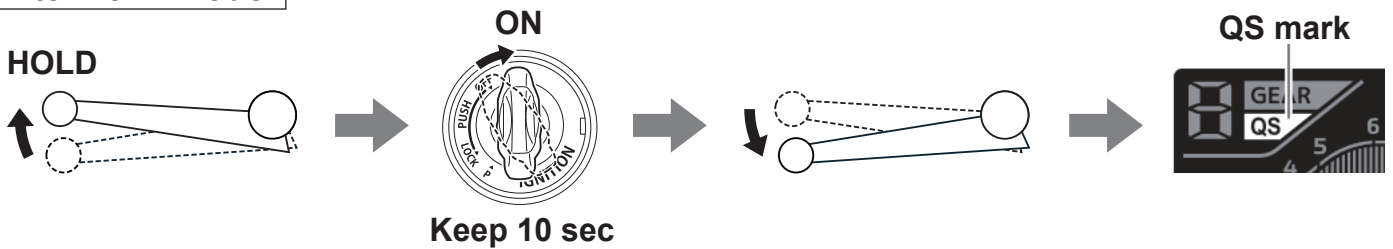
Quick-shift Kit YZF-R25/R3, MT-25/03



Quick-shift Kit YZF-R25/R3, MT-25/03



After 2024 model



Upshifting

